

Virtual reality based real time Industrial machine Control

Dr. R.Rajagopal¹ , Dr.C.Gopala krishnan²,Mr M.Mukesh Krishnan³

¹Professor,Department of ECE,

PTR College of Engineering and Technology.Maduari

²Associate Professor/CSE

Francis Xavier Engineering College.Tirunelveli

³Assistant Professor/CSE

Francis Xavier Engineering College.Tirunelveli

Abstract

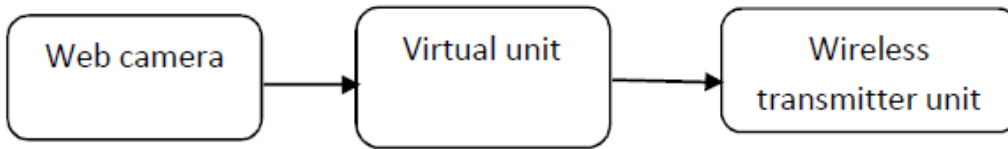
In this we create Virtual reality based ongoing industrial machine control framework for utilizing remote innovation. It comprises of two areas Virtual unit and Industrial unit. Utilizing virtual unit when the switch is squeezed/contacted it sends the information to industrial unit through transmitter .Here the transmitter is gotten and after that activity is executed .Due to utilizing of this strategy makes human free of clean and soil, it can be utilized at a short scope of separation .The task is speedier and ready to effortlessly access in the range Virtual reality applications grow up these days. These applications are produced for the PCs as well as for implanted frameworks, for example, amusement reassurance, Smartphone, touchpad. The restricted touchpad assets and system correspondence between touchpad require an adjustment to condition commotions. The application is absorbed to a virtual reality application .There are a wide range of sorts of pointing gadgets for connection amongst human and PC. A standout amongst the most utilized and created pointing gadgets is the mouse. Be that as it may, conventional mouse has a constrained level of controls. Another gadget is the touchpad, the partner of the mouse that is generally implanted on PCs. Touchpad fundamentally has an indistinguishable control from the mouse, yet it can have extra controls since it has an alternate collaboration technique contrasted with the mouse. In this paper we talk about virtual touchpad, a touchpad manufactured utilizing a webcam and some current PC vision strategies, for the most part hand location. It utilizes a bit of rectangular question as the cushion and works simply like a touchpad with a couple of extra controls. The virtual touchpad assembled bolsters clicking (i.e. left snap, right snap and center snap) and signals acknowledgment by utilizing control of hand and finger position. The signals perceived by this touchpad are straightforward motions e.g. making a vertical line, even line, V shape, et cetera. In spite of the fact that the virtual touchpad is as yet a model, the vast majority of the client who tried this gadget thinks that its fascinating and said that it would be valuable if grew further

Introduction

Virtual reality (VR) is a ground-breaking innovation that guarantees to change our lives not at all like some other. By misleadingly empowering our faculties, our bodies move toward becoming deceived into tolerating another rendition of the real world. VR resembles a waking dream that could occur in a mysterious toon like world, or could transport us to another piece of the Earth or universe. In the meantime, VR bears the shame of unkept guarantees. The publicity and energy has regularly far surpassed the conveyance of VR encounters to coordinate it, particularly for individuals without access to costly research center hardware. We depend on our vision to see movement for some vital exercises. One utilize is to isolate a moving figure from a stationary foundation. Virtual reality VR for short contains an accumulation of advancements: 3D shows, movement following equipment, input gadgets, programming systems, and improvement apparatuses. While customer review VR equipment is youthful and developing, a bunch of plat shapes have risen as go-to decisions, including Oculus Rift, Samsung Gear VR, and Google Cardboard. Each conveys an alternate level of VR encounter, at an alternate value point, with changing degrees of in your grasp compactness Virtual Reality has one objective: to persuade you that you are elsewhere. It does this by deceiving the human mind specifically the visual cortex and parts of the cerebrum that see movement. An assortment of innovations plot to make this deception, including: Stereoscopic Displays, Motion Tracking Hardware, Input Devices, Desktop and Mobile Platforms. Taking a gander at the prominence and use of virtual reality, the requirement for a userfriendly and financially savvy stages and instruments was felt.

The point was to let the clients and engineers in prototyping, improvement, testing and investigating of VR applications and immersive frameworks. This segment depicts the plan of different VR Platforms and Toolkits. It has additionally developed to give another level of refinement in utilizing different sensors, for example, Visual, K in tasteful, Auditory, and so on.

Methodology:
VIRTUAL UNIT



INDUSTRIAL UNIT

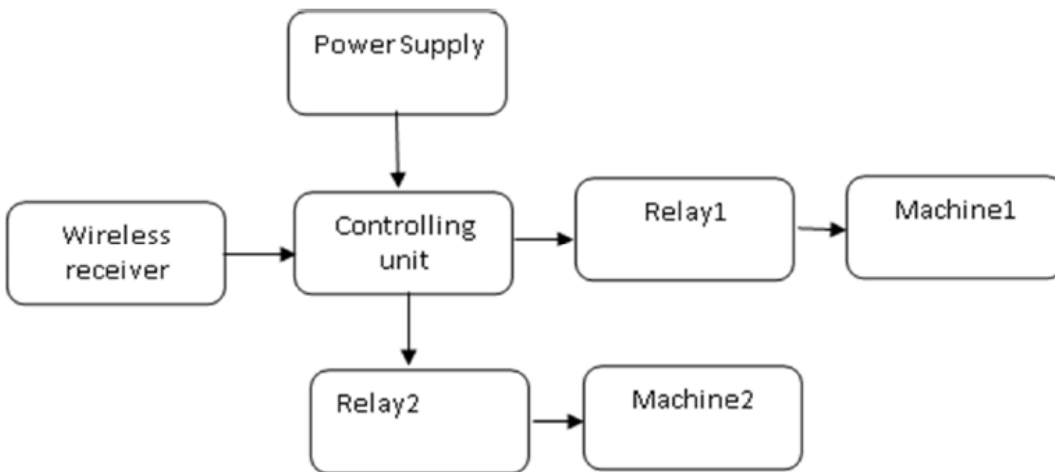


Figure 1 Block Diagram

To accomplish the coveted objective we have planned a framework whose square graph is appeared in fig 1. It comprises of web camera, virtual unit, transfers and so on. Sensor are settled in the virtual touch cushion, which examination and sends data to the microcontroller. At the point when the change is squeezed from the transmitter it sends data to the collector and afterward the hand-off begins to work and do this task .It is utilized as a part of short range. It is free from tidy and soil .It assist us with operating the required with no aggravation

VIRUTAL UNIT
WEB CAMERA

- Web camera is used for indicating purpose
- It gives us the preview of switch in the required area

VIRUTAL UNIT

- The Virtual display the information on the wall or any surface.
- This display contains the switches to control the switches.
- If the people touch any switch in the display, the touched switch is analysed by the camera.

WIRELESS TRANSMITTER UNIT/ WIRELESS RECIVER

- Wireless network are most cost efficient then wired network in general

INDUSTRIAL UNIT

POWER SUPPLY

- The bridge rectifier is frequently used for converting AC to DC.
- This throbbing DC can be sifted utilizing a capacitor channel for expelling the swells

CONTROLLING UNIT

- The acronym PIC stands for "peripheral interface controller," although that term is rarely used nowadays.
- Self-Programming
- Parallel Slave Port

RELAY

- A relay is an electrically operated switch.
- Numerous transfers utilize an electromagnet to mechanically work a switch, yet other working standards are likewise utilized, for example, strong state hand-off.

MICRO CONTROLLER (PIC 16F877A)

The primary favorable position of CMOS and RISC blend is low power utilization bringing about a little chip measure with a little stick check. The principle preferred standpoint of CMOS is that it has resistance to clamor than other creation methods. Different microcontrollers offer various types of recollections. EEPROM, EPROM, FLASH and so on. Innovation that is utilized as a part of pic16F877A is streak innovation, with the goal that information is held notwithstanding when the power is off.

CORE FEATURES

- High-performance RISC CPU
- Only 35 single word instructions to learn
- All single cycle instructions except for program branches which are two Cycle
- Operating speed: DC - 20 MHz clock input, DC - 200 ns instruction Cycle

INTRODUCTION TO SERIAL COMMUNICATION**DCE AND DTE DEVICES**

DTE remains for Data Terminal Equipment, and DCE remains for Data Communications Equipment. These terms are utilized to show the stick out for the connectors on a gadget and the heading of the signs on the pins. Your PC is a DTE gadget, while most different gadgets, for example, modem and other serial gadgets are typically DCE gadgets. RS-232 has been around as a standard for a significant time allotment as an electrical interface between Data Terminal Equipment (DTE) and Data Circuit-Terminating Equipment (DCE, for instance, modems or DSUs. It shows up under various manifestations, for example, RS-232C, RS-232D, V.24, V.28 or V.10. RS-232 is utilized for nonconcurrent information exchange and in addition synchronous connections, for example, SDLC, HDLC, Frame Relay and X.25

SYNCHRONOUS DATA TRANSFER

In program-to-program correspondence, synchronous correspondence requires that each finish of a trade of correspondence react thusly without starting another correspondence. A regular action that may utilize a synchronous convention would be a transmission of records starting with one point then onto the next. As every transmission is gotten, a reaction is returned demonstrating achievement or the need to resend.

ASYNCHRONOUS DATA TRANSFER

The term no concurrent is generally used to depict interchanges in which information can be transmitted irregularly instead of in a constant flow. For instance, a phone discussion is no concurrent in light of the fact that the two gatherings can talk at whatever point they like. On the off chance that the correspondence were synchronous, each gathering would be required to hold up a predefined interim before talking. The trouble with offbeat correspondences is that the beneficiary must have an approach to recognize substantial information and commotion. In PC correspondences, this is normally expert through an exceptional begin bit and stop bit toward the start and end of each bit of information. Therefore, no concurrent correspondence is some of the time called start stop transmission.

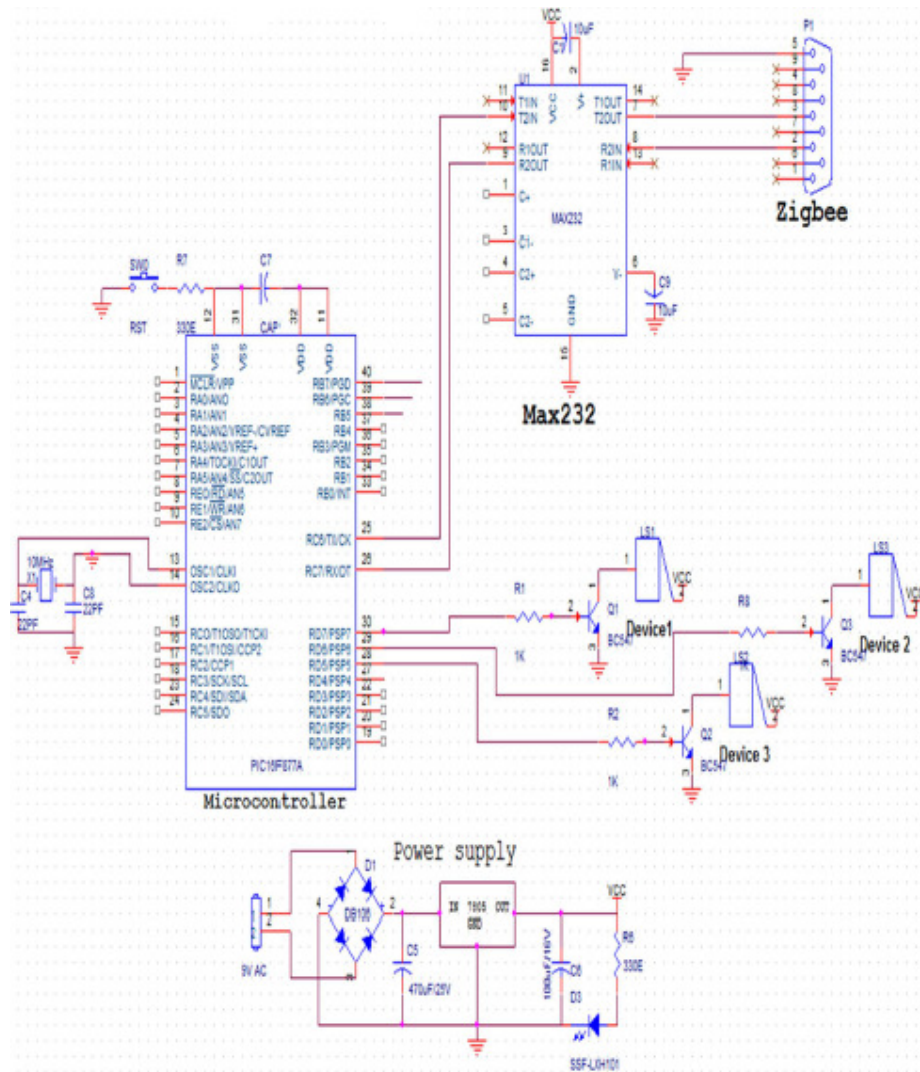
RS232

RS-232 (Recommended standard-232) is a standard interface endorsed by the Electronic Industries Association (EIA) for associating serial gadgets. At the end of the day, RS-232 is a since a long time ago settled standard that portrays the physical interface and convention for moderately low-speed serial information correspondence amongst PCs and related gadgets. An industry exchange gathering, the Electronic Industries Association (EIA), characterized it initially for teletypewriter gadgets. In 1987, the EIA discharged another adaptation of the standard and changed the name to EIA-232-D. Numerous individuals, be that as it may, in any case allude to the standard as RS-232C, or just RS-232. RS-232 is the interface that your PC uses to converse with and trade information with your modem and other serial gadgets. The serial ports on most PCs utilize a subset of the RS-232C standard

ZIGBEE MODULE

ZigBee is a detail for a suite of irregular state correspondence traditions used to make a singular area frameworks worked from nearly nothing, low-control mechanized radios. In spite of the fact that its low power utilization limits transmission separations to 10– 100 meters observable pathway, contingent upon control yield and natural qualities, ZigBee gadgets can transmit information over long separations by going information through a work system of halfway gadgets to achieve more inaccessible ones. ZigBee is typically utilized as a part of low information rate applications that require long battery life and secure systems administration (ZigBee systems are anchored by 128 piece symmetric encryption keys). ZigBee has a characterized rate of 250kbit/s, most appropriate for discontinuous information transmissions from a sensor or info gadget. Applications incorporate remote light switches, electrical meters with in-home-shows, activity administration frameworks, and other shopper and industrial gear that require short-go low-rate remote information exchange. ZIGBEE is another remote innovation guided by the IEEE 802.15.4 Personal Area Networks standard. It is fundamentally intended for the colossal computerization applications and to supplant the current non-standard advancements. It at present works in the 868MHz band at an information rate of 20Kbps in Europe, 914MHz band at 40Kbps in the USA, and the 2.4GHz ISM groups Worldwide at a greatest information rate of 250Kbps. The ZIGBEE particular is a mix of Home RF Late and the 802.15.4 detail. The particular works in the 2.4GHz (ISM) radio band - an indistinguishable band from 802.11b standard, Bluetooth, microwaves and some different gadgets. It is fit for associating 255 gadgets for each system. The particular backings information transmission rates of up to 250 Kbps at a scope of up to 30 meters. ZIGBEE's innovation is slower than 802.11b (11 Mbps) and Bluetooth (1 Mbps) yet it devours essentially less power. 802.15.4 (ZIGBEE) is another standard particularly intended for low rate remote individual zone systems. It targets low information rate, low power utilization and ease remote systems administration.

CIRCUIT DIAGRAM



Here we utilizing PIC 16F877A Microcontroller. Supply +5 volt and ground is taken from control supply unit and given to the controller pins 11, 12, and 31, 32. Precious stone oscillator of 4mhz is associated with 13 and 14 pins . The MAX232 circuit is associated with the pins 24 and 26. The zigbee circuit is associated with microcontroller through pins 7 and 8 pins of MAX232 circuit. The gadgets light 1, light 2, and light 3 are associated with the pins 30, 29 and 28 of microcontroller individually.

CONCLUSION

Virtual reality is a developing industry that fills in as a benefit as well as a future innovation which would encourage the mankind. VR unites a few advancements, including 3D stereoscopic presentations, movement following equipment, new information gadgets, PCs and cell phones. The key developments that empower virtual reality are stereoscopic rendering and movement following. At the point when these two are appropriately joined, we feel inundated, or introduce, and the hallucination of VR is sufficiently convincing to transport us to somewhere else.

Reference

- C. Warmer et al., “Web Services for Integration of Smart Houses in the Smart Grid,” *Proc. Grid- Interop Forum*, 2009, pp. 1–5.
- E. Patti et al., “Event-Driven User-Centric Middleware for Energy-Efficient Buildings and Public Spaces,” *IEEE Systems J.*, vol. 10, no. 3, 2016, pp. 1137–1146; doi:10.1109/JSYST.2014.2302750.
- C. Eastman et al., *BIM Handbook: A Guide to Building Information Modeling for Owners, Managers, Designers, Engineers, and Contractors*, John Wiley & Sons, 2008.

- *P. Milgram et al., "Augmented Reality: A Class of Displays on the Reality-Virtuality Continuum," Proc. SPIE: Telemicroscopy and Telepresence Technologies, vol. 2351, 1995; doi:10.1117/12.197321.*
- *J. Tobin, "Proto-Building: To BIM Is to Build," AECbytes newsletter, May 2008.*
- *P. Rander, P.J. Narayanan, and T. Kanade, "Virtualized reality: constructing time varying virtual worlds from real world events," Proc. Visualization, pp. 277-283, 1997*
- *T. Kanade and P.J. Narayanan, "Historical Perspectives on 4D Virtualized Reality," Proc. CVPR, pp. 165, 2006.*
- *H. Kim, I. Kitahara, R. Sakamoto, and K. Kogure, "An Immersive Free-Viewpoint Video System Using Multiple Outer/Inner Cameras," Proc. 3DPVT, 2006.*
- *D. Arijon, Grammar of the Film language, Silman-James Press, 1991*
- *S.D. Katz, Cinematic Motion: Film Directing: A Workshop for Staging Scenes, Michael Wiese Film Productions, 2004.*